

Asta 150R1/Asta 200R1

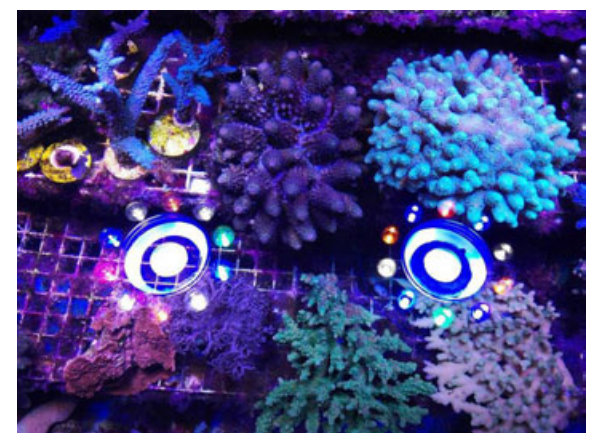
High-power COB and specially-made secondary lens, with strong penetrability for even 3~5m deep tank, professional for project tank and museum, oceanarium.



Asta 150 for 11m(L)*70cm(W)*100cm(H) aquarium in Chinese oceanarium

Features

- 100% modular design, low cost maintenance
- Heat-tube cooling with PWM-controlled fan, highly efficient cooling system
- LED 90/120 mix degree lens, improving PAR performance
- Constant voltage and constant current technology to protect LEDs, extending lifespan
- High power COB chip with strong penetrability for even 3~5m deep tank.
- 4 adjustable channels, timing and dimming
- Simulating thunderstorm, moonlight, sunrise, sunset, lunar cycle, etc



Wifi Control

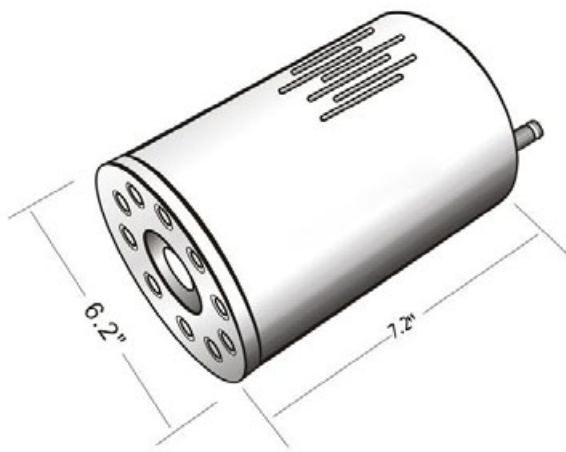
We use the newest DMX and PMW technology, you can control lights on iOS or Android phone.

4 channels, timing and dimming. Asta supplies a suitable environment for marine tank with the sunrise, sunset, moonlight, and thunderstorm effect. One wifi controller can control multiple lights together.

Model	Power Draw	Voltage	Lens Degree	LEDs Number	Suitable Tank Size	Driver
Asta 150R1	150w	100~240V AC 36V DC	90/120	50pcs	60cm cube	Power adapter
Asta 200R1	200w	100~240V AC 36V DC	90/120	70pcs	70~90cm cube	Meanwell driver

Dimension

Length: 7.2 inches/203mm
 Diameter: 6.2 inches/158mm
 Weight: 2.0kg



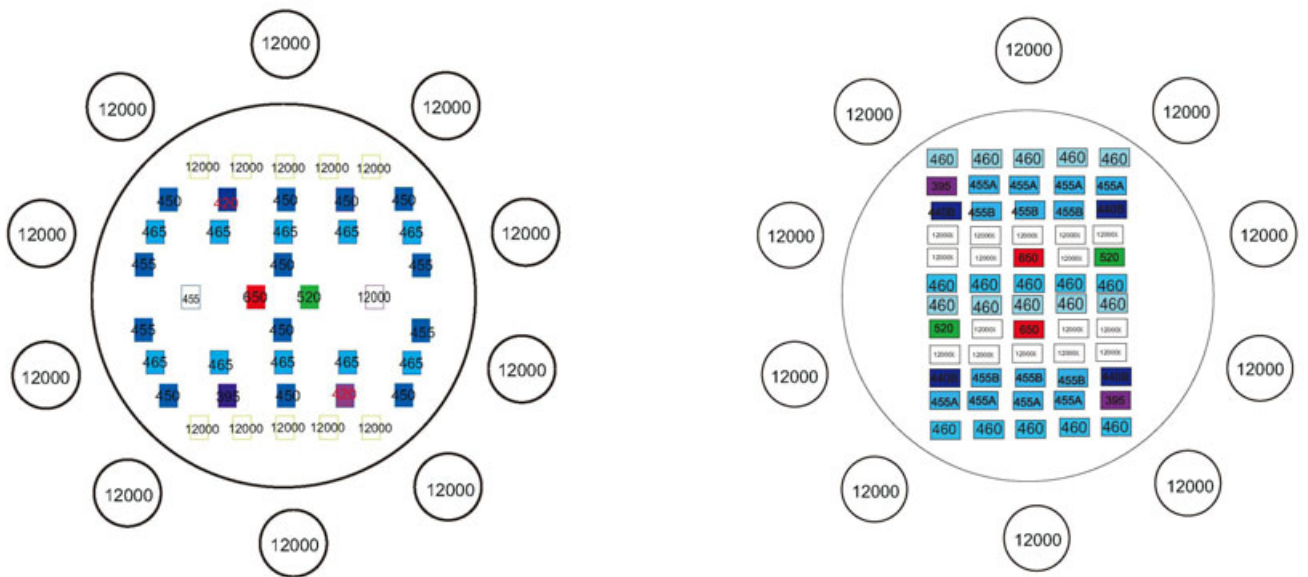
Full Spectrum

Spectrum is 100% usable for corals. You can adjust 4 channels separately to customize the spectrum



LEDs

- 3w Blue SemiLEDs
- 3w Cool White LEDs
- 3w Royal Blue SemiLEDs
- 3w Red Epistar LEDs
- 3w Green Epistar LEDs
- 3w light purple LEDs
- 3w UV Edison LEDs
- Lifespan: 50000hrs



Upgradability

We know how important your investment is. We've designed the Lumini Asta lights to be forward thinking, and allow for upgrades as the technology progresses. Like personal computers, LED technology is developing rapidly. The Lumini Asta 150R1 is 100% modular designed, allowing to be upgraded as desired.